

# FX-K Hammer-in fixings with mushroom head

The hammer fixing for fast, simple, cost-effective installations.



## Approvals and Reports

- ETA-13/0088



## Product information

### Features and benefits

- Rapid hammer-set installation reduces the time required and allows for cost-effective, high-volume installation.
- Combination of PZ recess and the helical thread makes removal of the nail possible, facilitating disassembly when necessary.
- The extensive range of product lengths, diameters and head types ensures availability of the correct fixing for every scenario.
- Designed for push-through installation.
- Mushroom head

### Applications

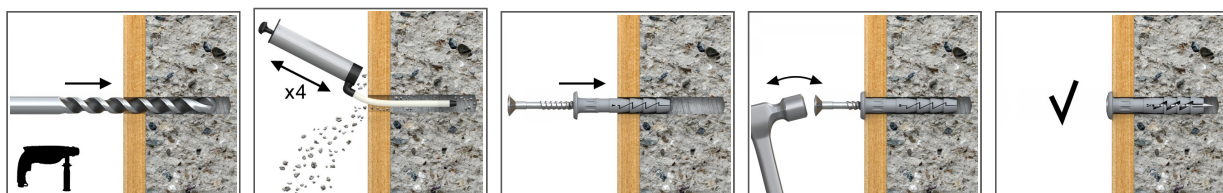
- Timber or metal battens
- Drywall structures
- Skirting / Dado railing
- Cable clamps
- Pipe clamps

### Base materials

#### Approved for use in:

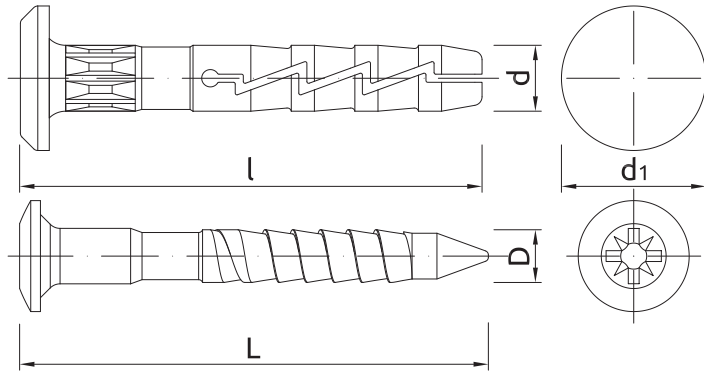
- Concrete
- Solid Brick
- Solid Sand-lime Brick
- Hollow Sand-lime Brick
- Lightweight Concrete Block
- Hollow Lightweight Concrete Block
- Aerated Concrete Block

## Installation guide



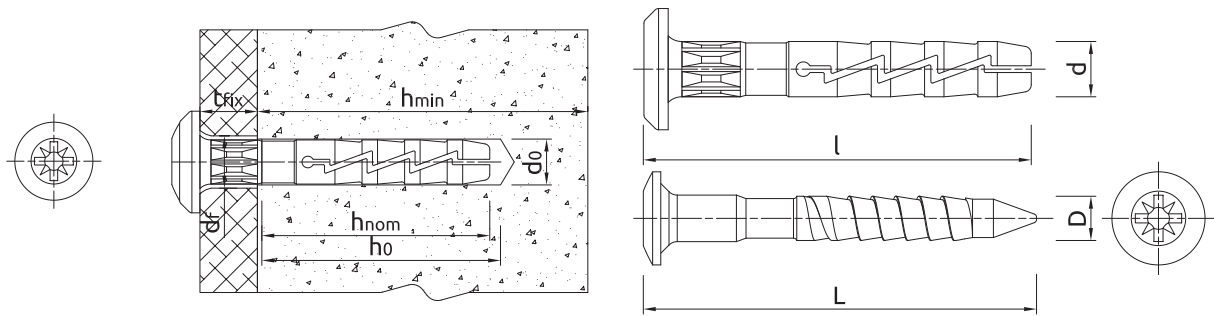
1. Drill a hole of required diameter.
2. Insert FX plug into hole through fixture.
3. Hammer the nail into the plastic sleeve until fixing is secure and flush with the fixture.

**Product information**



Size	Product Code	Plug		Nail		Fixture		Diameter
		Diameter	Length	Diameter	Length	Max. thickness	Hole diameter	
		d	l	D	L	t <sub>fix</sub>	d <sub>f</sub>	d <sub>1</sub>
[mm]								
Ø6	FX-06K040	5.9	40	3.8	44	11	7	12.5
	FX-06K060	5.9	60	3.8	64	31	7	12.5
	FX-06K080	5.9	80	3.8	84	51	7	12.5

**Installation data**



Installation data

Product dimensions

Size	Ø6		
Hole diameter in substrate	d <sub>0</sub>	[mm]	6
Min. hole depth in substrate	h <sub>0</sub>	[mm]	35
Min. installation depth	h <sub>nom</sub>	[mm]	29
Min. substrate thickness	h <sub>min</sub>	[mm]	100
Min. spacing	s <sub>min</sub>	[mm]	100
Min. edge distance	c <sub>min</sub>	[mm]	100
Fixing diameter	d	[mm]	6

## Basic performance data

Performance data for single fixing in tension without influence of edge distance and spacing

Substrate		Concrete C12/15	Concrete C20/25 - C50/60	Solid brick	Sand-lime solid brick	Sand-lime hollow brick	Lightweight concrete hollow block	Lightweight concrete block	Autoclaved aerated concrete
<b>POLYPROPYLENE PLUG</b>									
<b>MEAN ULTIMATE LOAD <math>N_{Ru,m}</math></b>									
TENSION LOAD $N_{Ru,m}$									
Ø06, Effective embedment depth 29 mm	[kN]	0.46	0.66	0.43	0.48	0.63	0.39	0.68	0.14
<b>CHARACTERISTIC LOAD <math>N_{Rk}</math></b>									
TENSION LOAD $N_{Rk}$									
Ø06, Effective embedment depth 29 mm	[kN]	0.20	0.40	0.20	0.30	0.30	0.20	0.30	0.10
<b>DESIGN LOAD <math>N_{Rd}</math></b>									
TENSION LOAD $N_{Rd}$									
Ø06, Effective embedment depth 29 mm	[kN]	0.10	0.20	0.10	0.15	0.15	0.10	0.15	0.05
<b>RECOMMENDED LOAD <math>N_{rec}</math></b>									
TENSION LOAD $N_{rec}$									
Ø06, Effective embedment depth 29 mm	[kN]	0.07	0.14	0.07	0.11	0.11	0.07	0.11	0.04

## Product commercial data

Product Code	Plug	Quantity [pcs]			Weight [kg]			Bar Codes
	Diameter [mm]	Box	Outer	Pallet	Box	Outer	Pallet	
FX-06K040 <sup>1)</sup>	5.9	200	2400	57600	0.85	10.2	274.2	5906675107622
FX-06K060 <sup>1)</sup>	5.9	100	1200	28800	0.59	7.0	199.1	5906675123523
FX-06K080 <sup>1)</sup>	5.9	100	1200	28800	0.73	8.7	239.4	5906675124322

1) ETA-13/0088